

868MHz Copper spring antenna

Product Specification

Catalogue

1. Description..... - 3 -

2. Technical Parameter..... - 3 -

3. Size..... - 3 -

4. VSWR Chart..... - 3 -

Note: Revision History

Revision	Date	Comment
V1.0	2018-06	First release

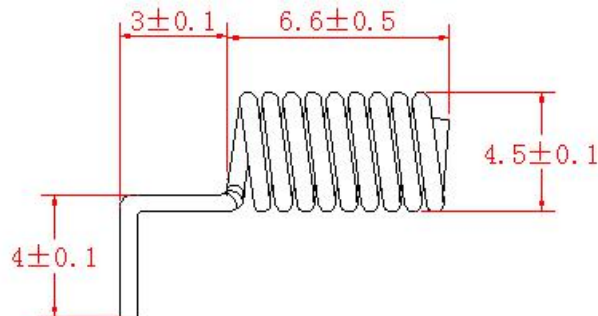
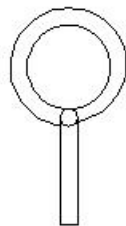
1. Description

SW868-TH06, a copper spring antenna, designed specially for 868MHz wireless communication, it has good VSWR, Compact dimensions, easy installation, stable performance, with good anti-vibration and aging ability.

2. Technical Parameter

- Frequency Range: 868 (+/-10) MHz
- VSWR: ≤ 2.0
- Gain: 2.15 DBI
- Input impedance: 50 Ω
- Max power: 10 W
- Height: 6.6+/-0.5 mm (9.8T)
- Wire diameter: 0.5mm
- Interface form: welding directly
- Antenna Color: copper
- Weight: 1 g

3. Size



4. VSWR Chart

Antennas have been tested under wireless simulated environment by USA HP Network Analyzer.

